



# CITY OF NAPOLEON

ENGINEERING DEPARTMENT  
255 West Riverview Avenue, P. O. Box 151 Napoleon, OH 43545  
Chad E. Lulfs, P.E., P.S., City Engineer  
Telephone: 419/592-4010 Fax: 419/599-8393  
[www.napoleonohio.com](http://www.napoleonohio.com)

October 27, 2008

1410 Woodlawn

Re: Glenwood Avenue & Woodlawn Avenue  
Septic Tank Removal Project

To Whom It May Concern,

The City of Napoleon has a project scheduled to connect your property to the City of Napoleon's sanitary sewer system. This involves installing new sanitary sewers and connecting your existing sanitary outlet to the new sewers. This project also includes the abandonment of your existing septic tank.

Please note that this project will be of no cost to you. We simply ask that you assist us when necessary; there may be instances when City personnel need to enter your residence to locate the existing sanitary line.

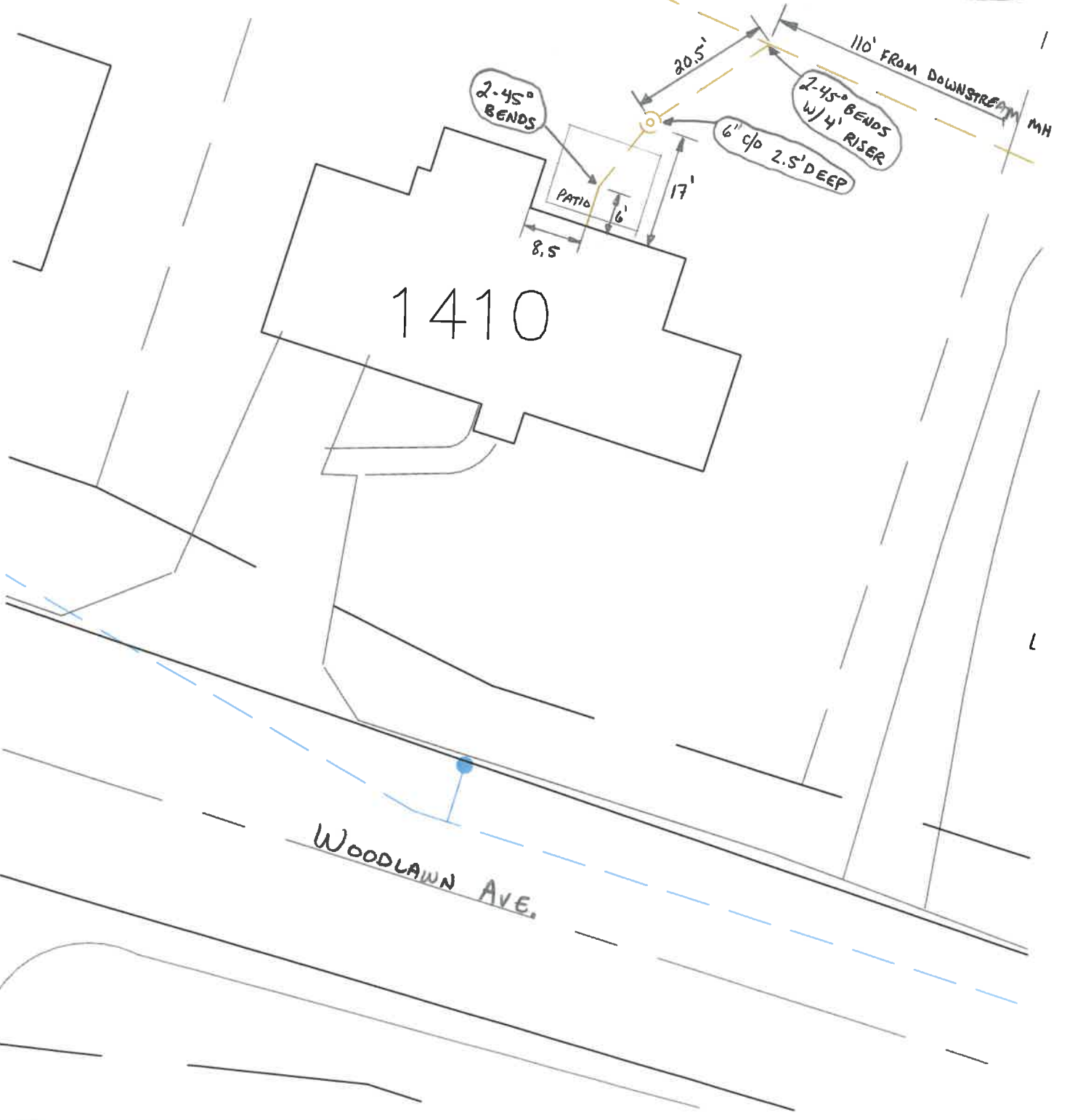
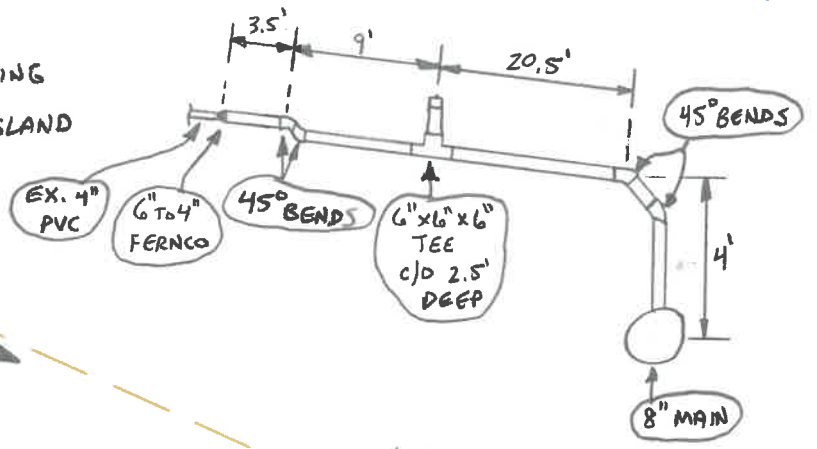
Work on this project is scheduled to begin the week of November 10, 2008. If you have any questions or require any additional information, please contact me at your convenience.

Yours truly,

Chad E. Lulfs, P.E., P.S.  
City of Napoleon Engineer

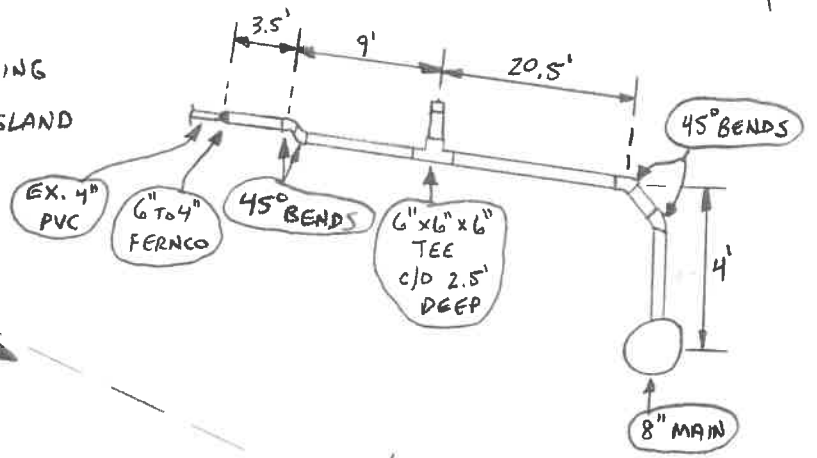
cc: Dr. Jon A. Bisher, City Manager  
Martin Crossland, Staff Engineer  
Rex Moll, Construction Inspector

DATE: 12-10-08  
INSTALLED BY: S & S BORING  
INSPECTED BY: MARTY CROSSLAND  
1" = 20'

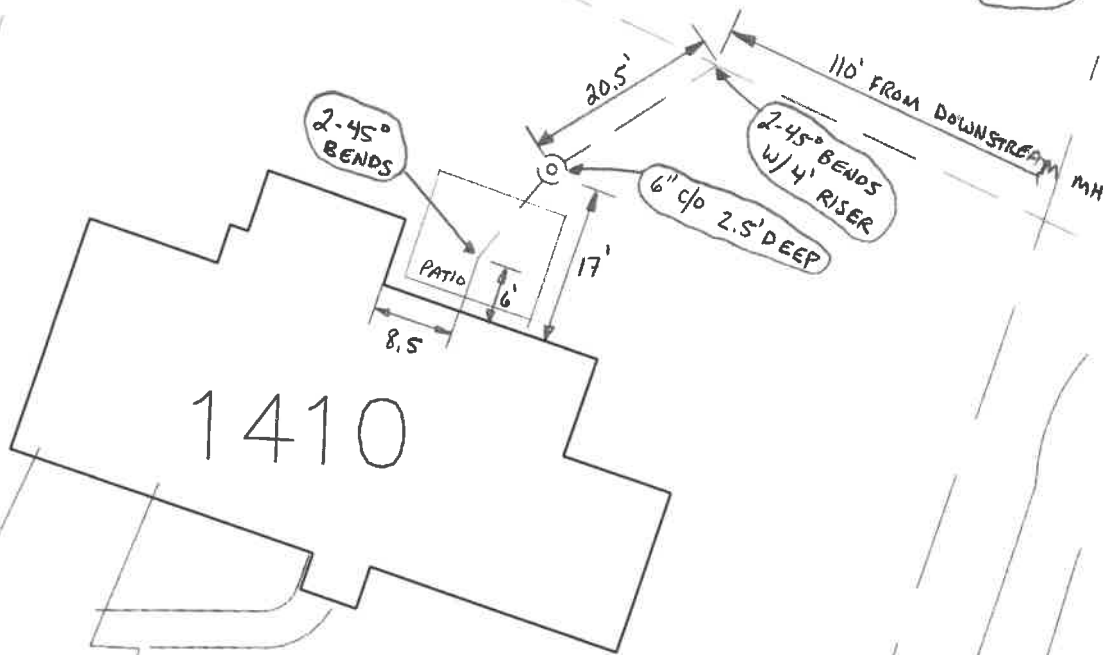


DATE: 12-10-08  
INSTALLED BY: S & S BORING  
INSPECTED BY: MARTY CROSSLAND

1" = 20'



8" PVC



1410

WOODLAWN AVE.

DATE: 12-11-08

INSTALLED BY: SAS BORING

INSPECTED BY: MARTY CROSSLAND

1" = 20'

